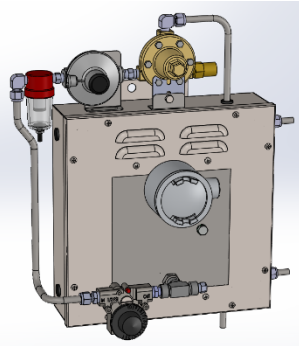
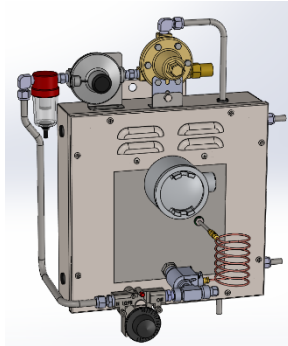


# Standard 2600 Options

26-2601-x-20

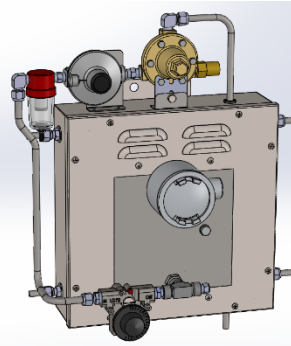


26-2601-x-40

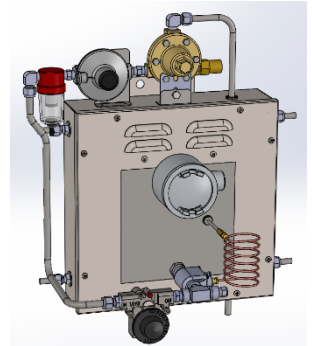


- High Pressure Regulator/ relief valve
- Single Heat Exchange Manifold

26-2603-x-20

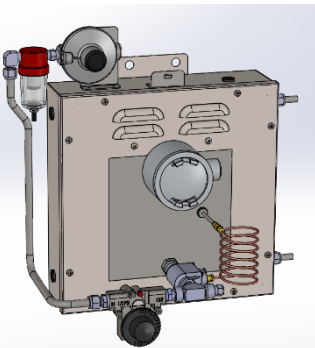


26-2603-x-40

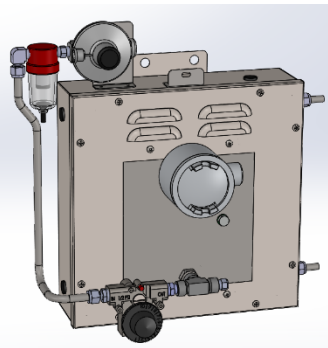


- High Pressure Regulator/ relief valve
- Dual Heat Exchange Manifold

26-2602-x-20

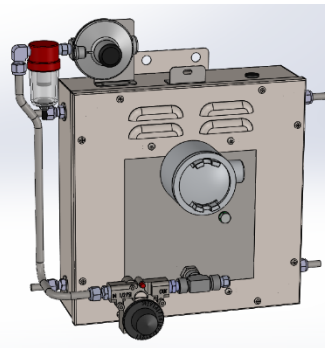


26-2602-x-20

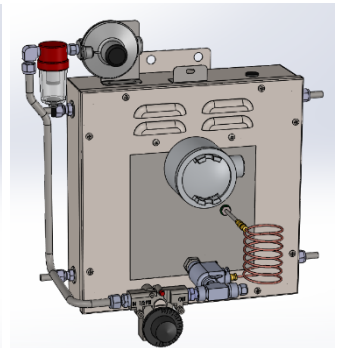


- No High Pressure Regulator
- Single Heat Exchange Manifold

26-2604-x-20

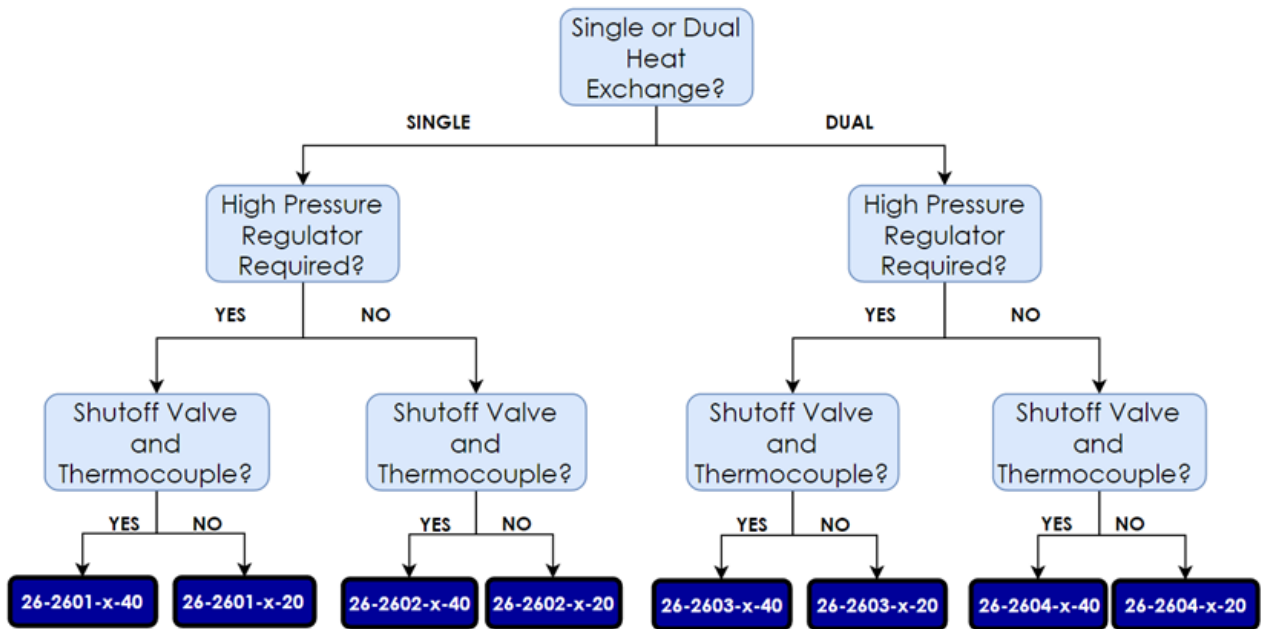


26-2604-x-40



- No High Pressure Regulator
- Dual Heat Exchange Manifold

\*\*\*All standard options pictured above include low pressure fuel gas regulator, thermostat and fuel gas supply filter\*\*\*



26-

