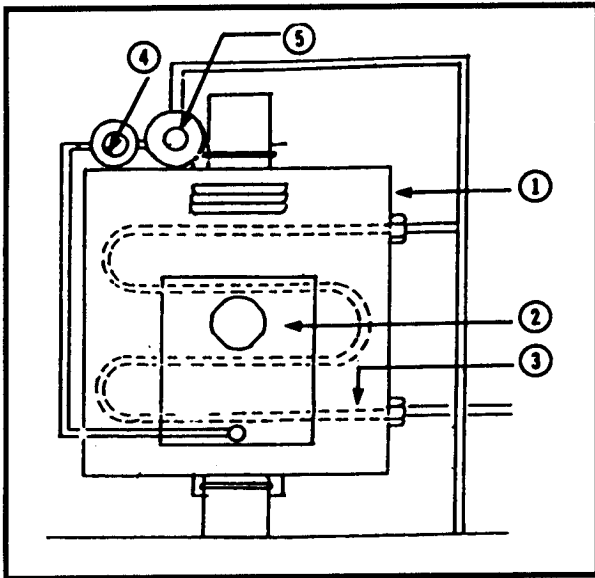


INSTALLATION INSTRUCTIONS

MODEL 2600 FREE OF FREEZE INSTRUMENT GAS HEATER

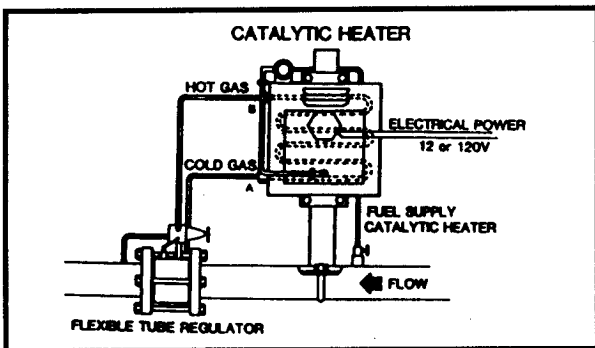


THE CATCO MODEL 2600 FREE OF FREEZE INSTRUMENT GAS HEATER unit shown consists of five components.

1. A stainless steel enclosure with mounting brackets for high and low pressure regulators. Holes pre-punched for a fuel gas preheater line and also for a dual heat exchanger tube. (optional)
2. Model 88, 2667 Btu Catalytic Heater (Standard model shown. FM approved version available as option.)
3. Heat Exchanger Tube with two 1/4" NPT female connectors for inlet and outlet, mounted on aluminum heat absorption plate. Maximum working pressure 3768 psi.
4. Low Pressure Regulator (maximum inlet pressure, 250 psi) pre-piped to provide fuel gas to the catalytic heater.
5. High Pressure Regulator (optional) maximum inlet pressure 6000 psi.

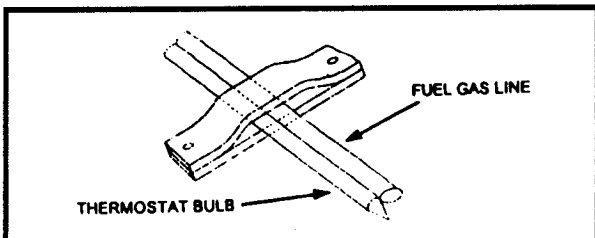
INSTALLATION

The Model 2600 has many application, but the principal use is to prevent freezing in the control pilot for a flexible tube regulator. The description below is for such application and may be used as a guide for other types of installations.



1. Mount the 2600 near the regulator. May be mounted on the wall or on a pipe riser. U-bolts provided.
2. Connect high pressure supply line to either "A" or "B" Heat Exchange tube 1/4" NPT connection. Assume "A".
3. Connect Heat Exchange tube outlet "B" to the regulator pilot.
4. Connect the fuel gas supply to the inlet regulator. Remember if only the low pressure regulator is supplied, it has a maximum inlet of pressure of 250 psi.
5. Start heater in accordance with instructions enclosed. When started you will feel heat output at upper vent.

INSTALLATION OF OPTIONAL THERMOSTAT



1. Attach clamp to regulator bulb and pilot gas line (make sure they are touching inside the clamp.)
2. Wrap yellow insulation tightly around clamp/pipe assembly and close off with aluminum tape wrapped around entire area of insulation.



CATCO
CATALYTIC HEATER CO.

CATALYTIC HEATER CO.

P.O. BOX 188 • (972) 563-8065 • TERRELL, TEXAS 75160