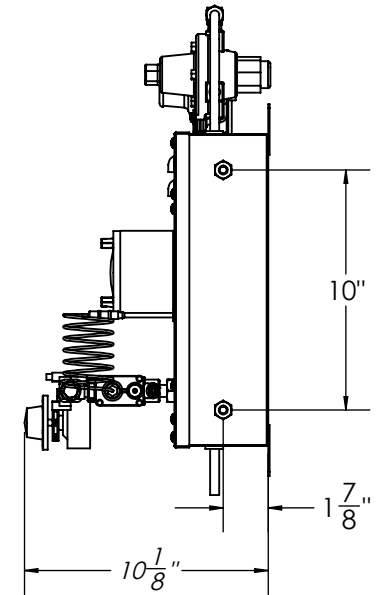
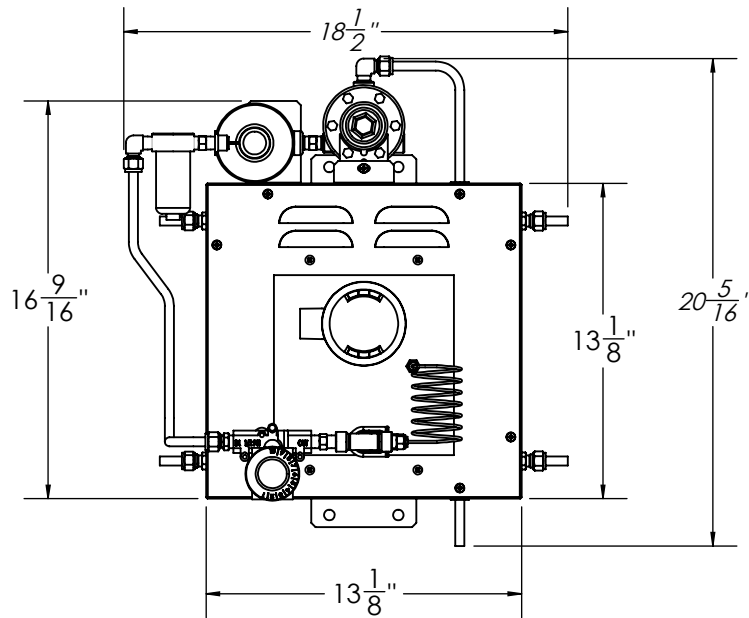
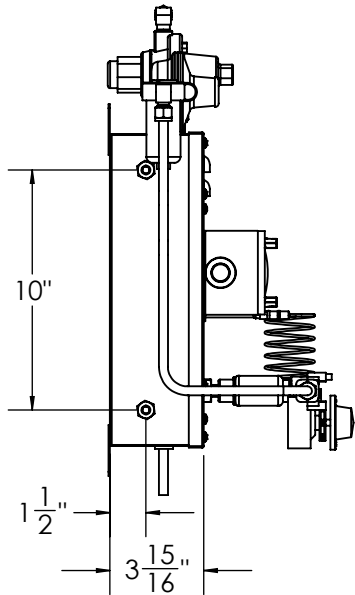
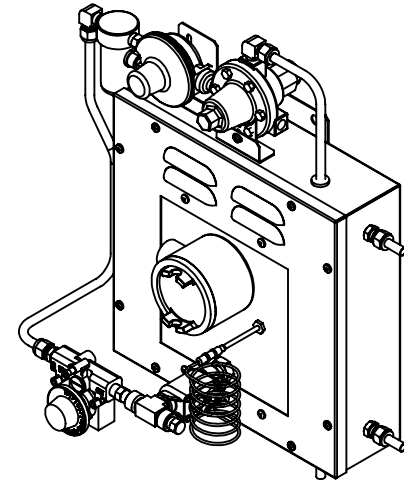
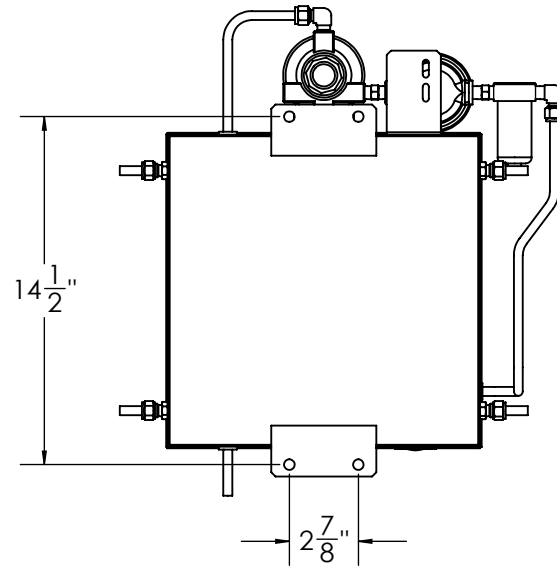


**NOTES:**

OVERALL DIMENSIONS OF CATCO INSTRUMENT GAS HEATERS DEPEND ON CONFIGURATION AND INSTALLED ACCESSORIES

DIMENSIONS IN ITALICS ARE BASED ON OPTIONAL EQUIPMENT



MODEL 2600 INSTRUMENT GAS HEATER  
DIMENSIONAL INFORMATION

UNLESS OTHERWISE NOTED  
ALL DIMENSIONS ARE IN INCHES  
ALL DIMENSIONS ARE OUTSIDE-OUTSIDE